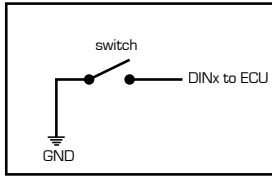


MaxxECU

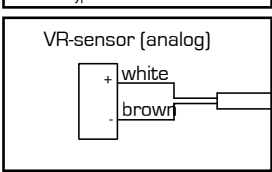
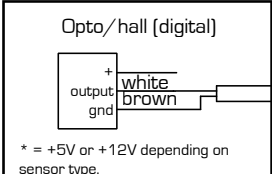
Notes:

Cables shields should only be grounded through the ECU.
Text in blue is the cable markings.

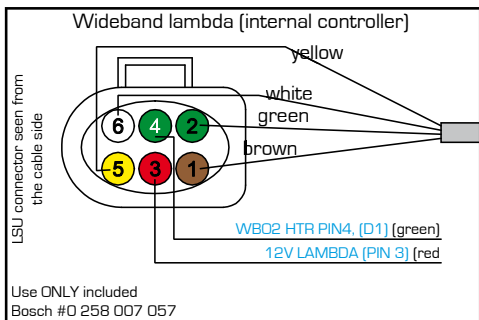
Digital input wiring



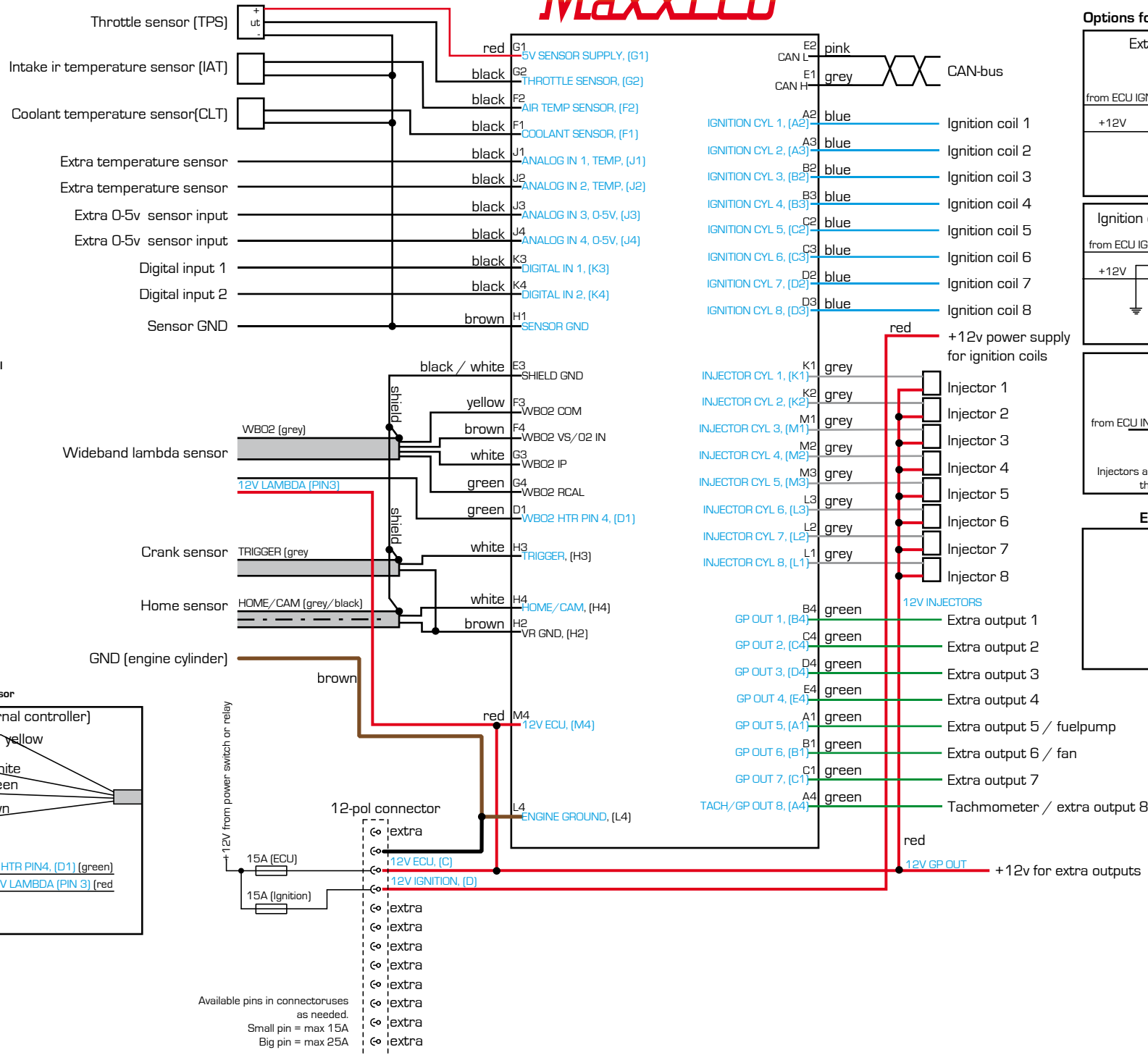
Wiring alternative for crank / home signal



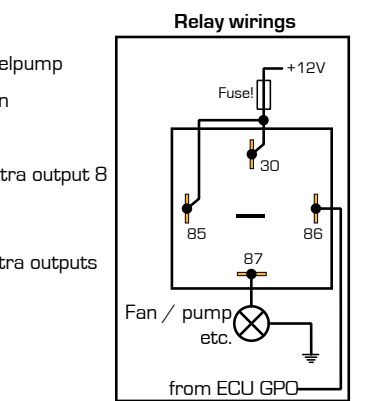
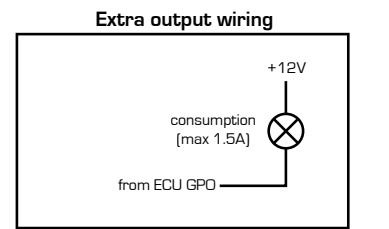
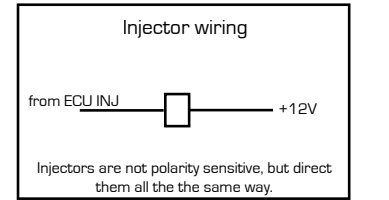
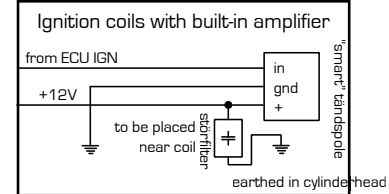
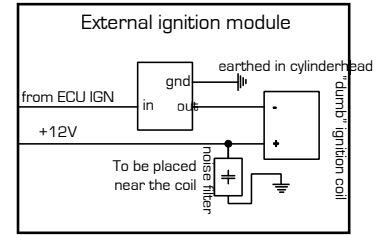
Wiring alternative for wideband lambda sensor



Wideband lambda (external controller)
External wideband controllers (AEM, Innovate etc) should be connected to a 0-5v input and should be configured as "Lambdasensor" in MTune.



Options for connecting ignition coils



Available pins in connector uses as needed.
Small pin = max 15A
Big pin = max 25A